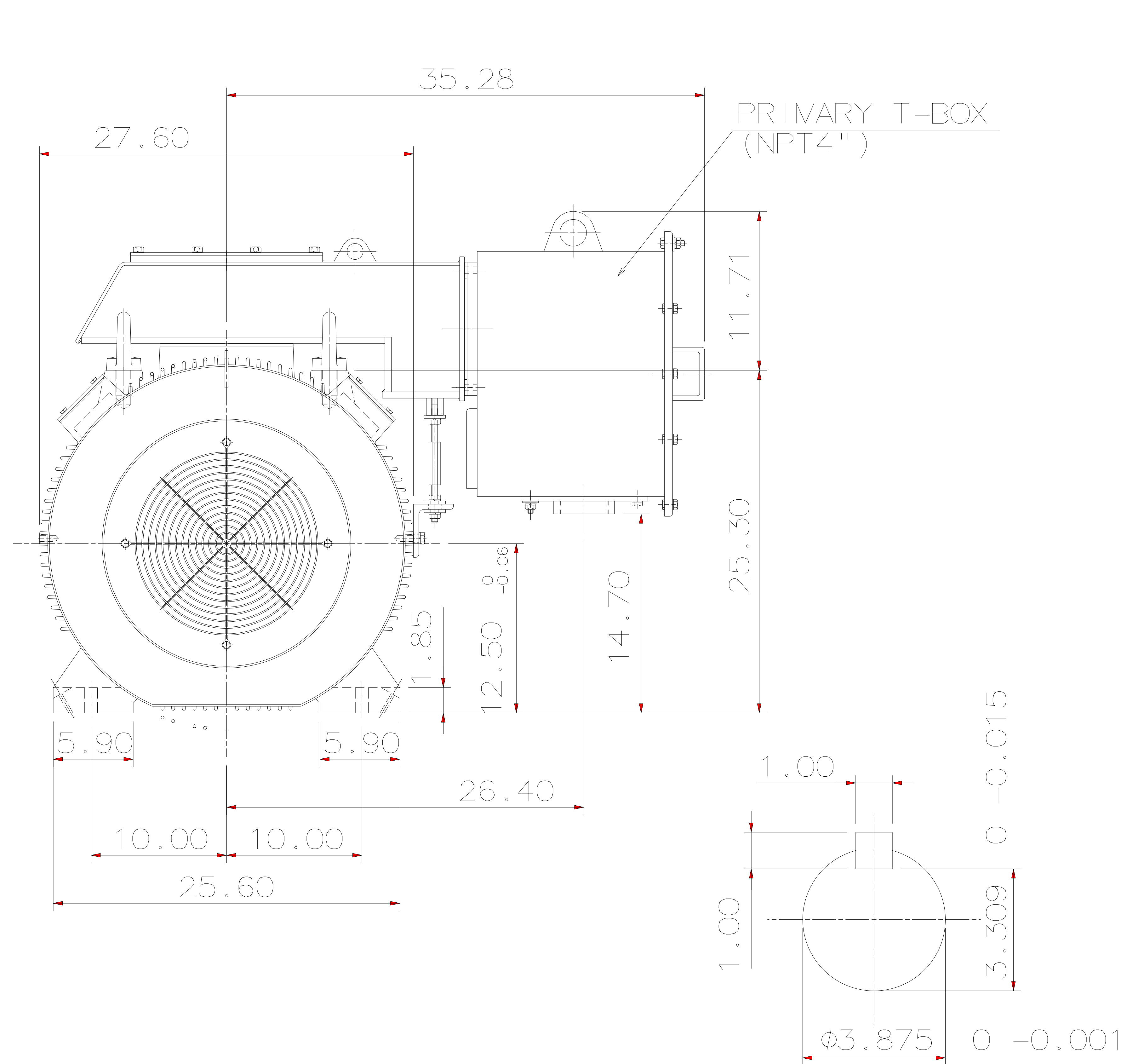
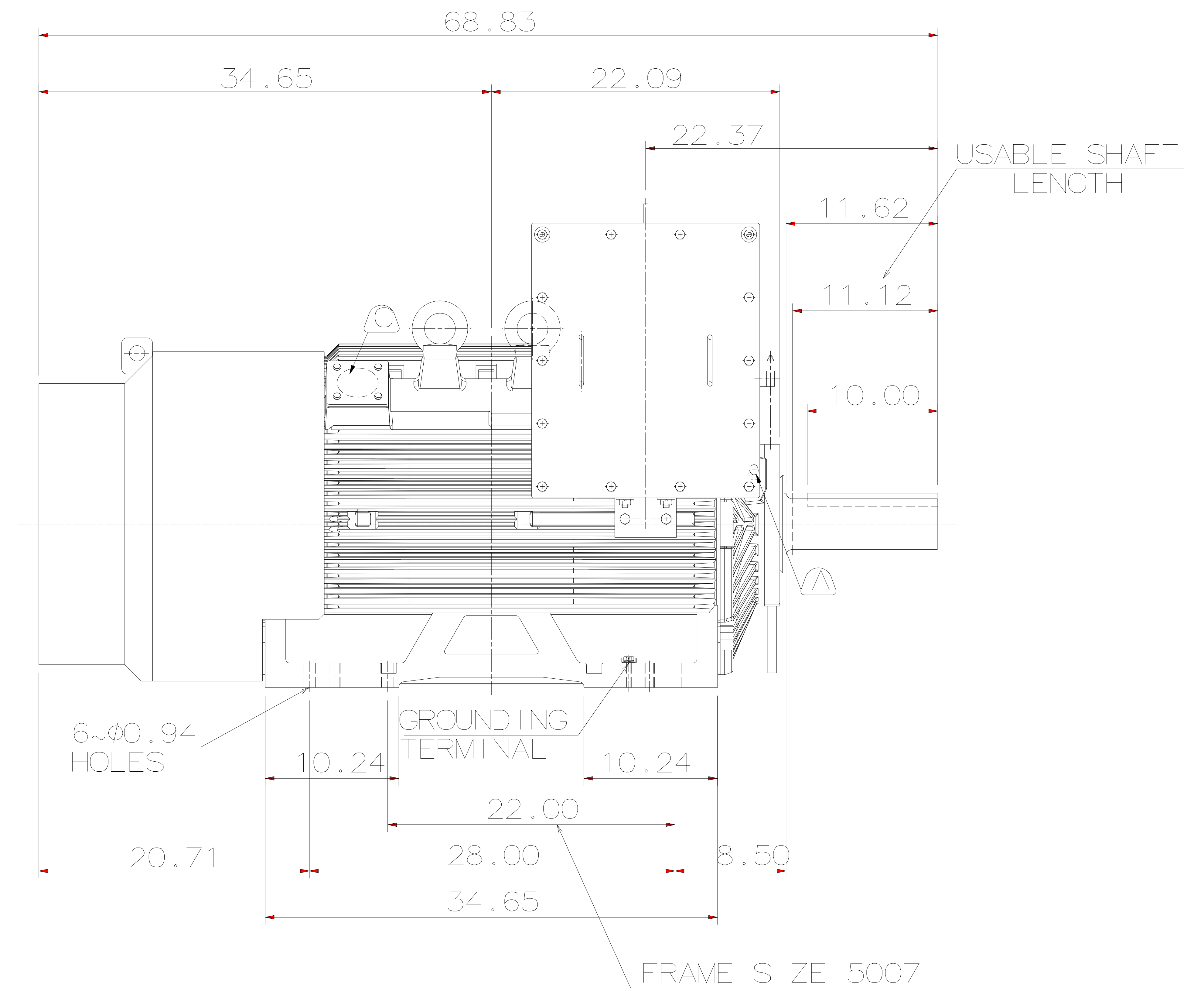


TYPE	OUTPUT		POLE	TIME RATING	VOLTAGE V	Hz	SYN. SPEED R.P.M
	HP.	kW.					
AFHH	300	224	6	CONT.	2300/4000	60	1200

TOTALLY ENCLOSED FAN-COOLED, TYPE. SQUIRREL-CAGE ROTOR



SHAFT END  
(ENLARGED VIEW)



NOTE:

1. DIMENSIONS IN inch
2. FRAME NO. 5009B
3. F CLASS INSULATION
4. FOR DIRECT FLEXIBLE COUPLING
5. ENCLOSURE: IP55
6. BEARING SIZE: DRIVE-END 6324C3  
OPP. DRIVE-END 6320C3
7. MOTOR APPROX. WEIGHT: 4100 lb

- ⓑ FOR BEARING RTD, END BRACKETS SHALL BE PRE-DRILLED AND PLUGGED.  
 Ⓒ FOR AUXILIARY, FRAME SHALL BE PRE-DRILLED AND COVERD WITH STEEL PLATE.

DATE	APRIL 14, 2020	OUTLINE DIMENSIONS	
CATALOG NO.:	EPF3006	3-PHASE INDUCTION MOTOR	
DWG NO.	5A040C162	REV:01	

DWN.	L. JHENG	APR. 22. 2019
CHKD.	H. WANG	APR. 23. 2019
APPD.	C. WANG	APR. 23. 2019

TECO Westinghouse